

Specifications:

Span width:
20.00m

Eave height:
3.00m

Ridge height:
6.10m

Bay distance:
5.00m

Roof pitch:
18°

Longest component:
5.50m

Minimum length:
5.00m

Maximum length:
Unlimited in 5.00m increments

Snow loading:
75 kg/m²

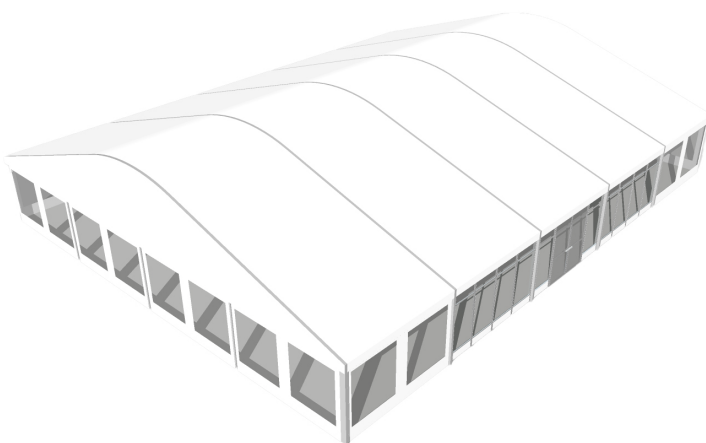
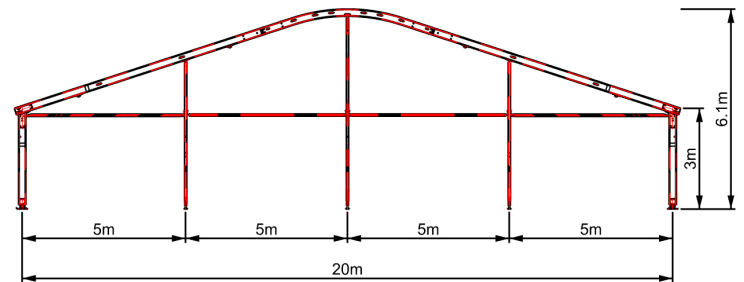
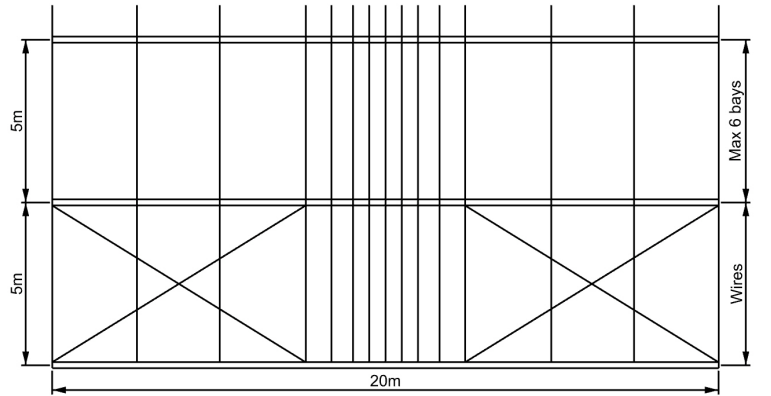
Max allowed wind speed:
100km/h

Main profile size:
220x100x4mm

Eave connection type:
Galvanised steel insert

Aluminium type:
Hard Pressed Extruded Structural Aluminium

Loading capacity:
250kgs for each group of frame


Accessories:

- French window walls
- Glass walls
- ABS solid walls
- Glass door
- Internal decoration linings
- Cassette floor system
- Economic wooden flooring
- Lighting system
- HVAC system
- More accessories are available